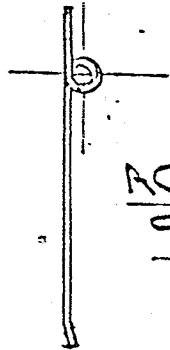
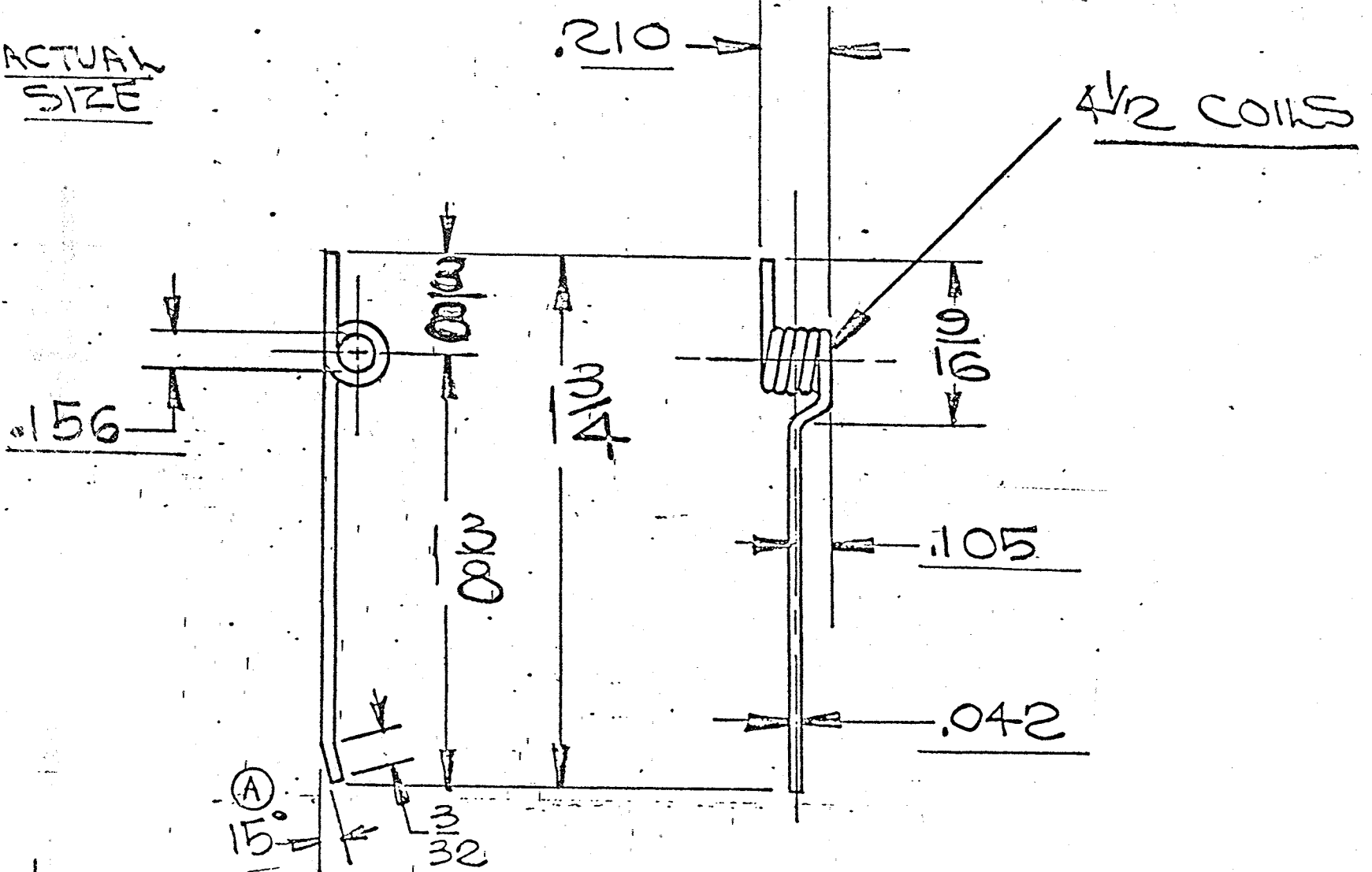


REMOVE SHA EDGES



ACTUAL
SIZE



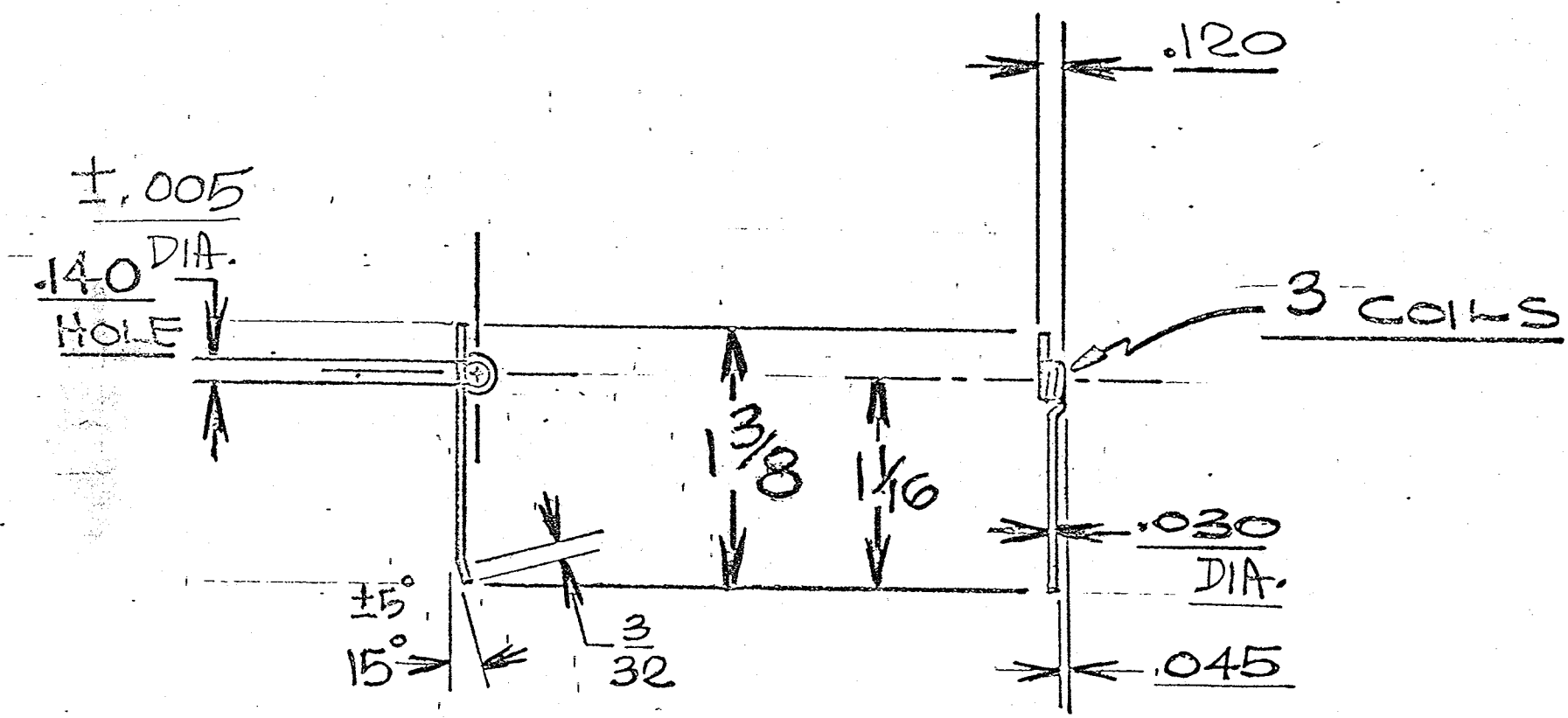
CHANGE	DATE	ALTERATION	DESCRIPTION
TOLERANCES UNLESS OTHERWISE SPECIFIED			
FRAC. DIM'S	DECIMALS	ANGLES	
+/- 1/64"	+/- .001"	+/- 1°	

THE READY TOOL COMPANY

TITLE #110 CAM ACTION GRINDER DOG SPRING		
DATE	SCALE	DRAWING NUMBER
III 31	100%	D-110-S

REMOVE SH.

EDGES



CHANGE	DATE	ALTERATION	DESCRIPTION	THE READY TOOL COMPANY		TITLE #109 CAM ACTION GRINDER DOG SPRING	
TOLERANCES UNLESS OTHERWISE SPECIFIED							
FRAC. DIM'S							
DECIMALS							
ANGLES							
±.1/64"						DATE	
.001"						SCALE	
±.1°						DRAWING NUMBER	
						OCT 27 1977	
						D-109-5	